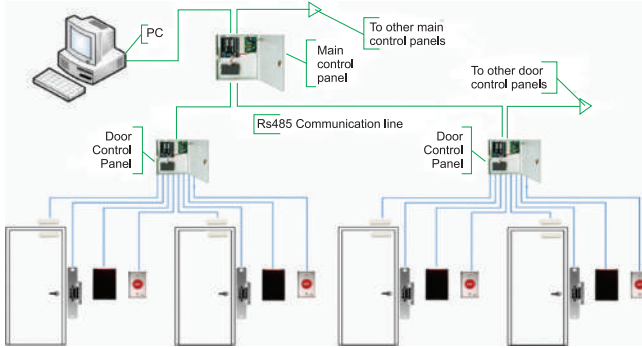


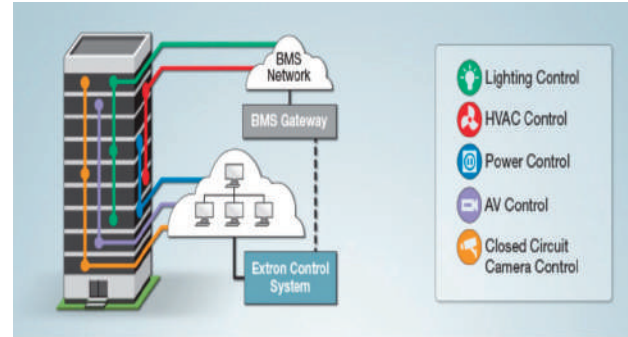
SECURITY SYSTEMS

We provide customize solution & consultation of Security System

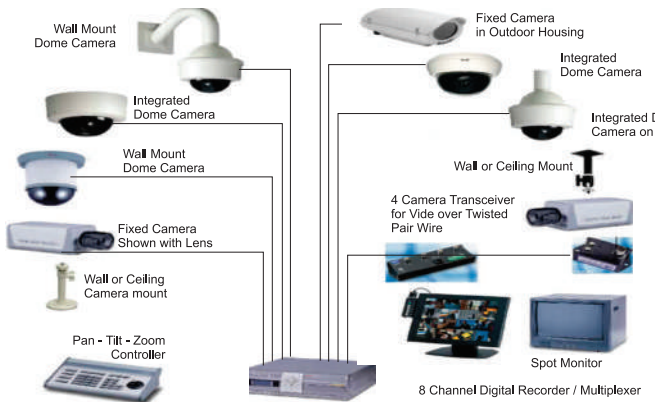
1. Site Survey
2. System Designing
3. System Audit
4. System Training, along with:
 Installation, Testing & Commissioning / Comprehensive Maintenance Contract



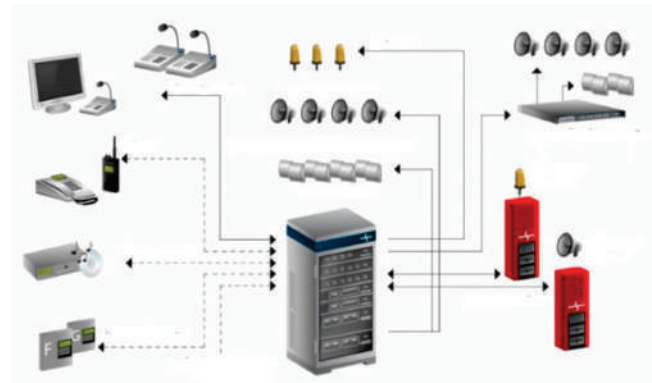
Access Control System



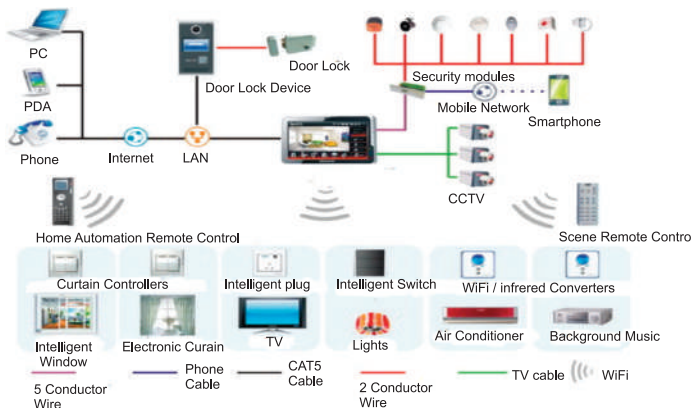
Basic Building Management System
 Lighting Management System



IP Base Analogue CCTV System

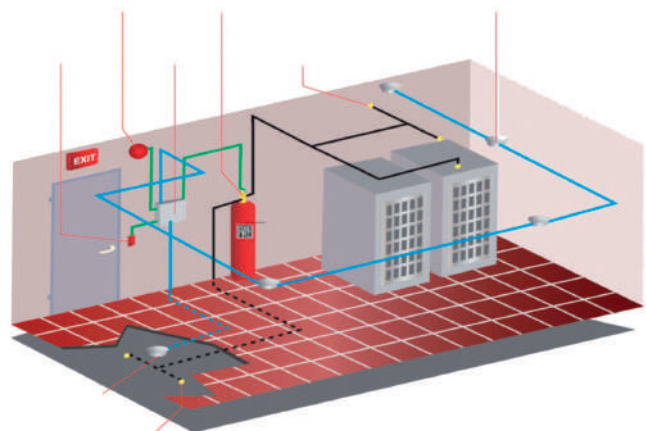


Public Address System



Home Automation System

Multiapartment Video Door Phone System



VESDA & Fire Detection System Along With FM 200
 Gas Suppression System